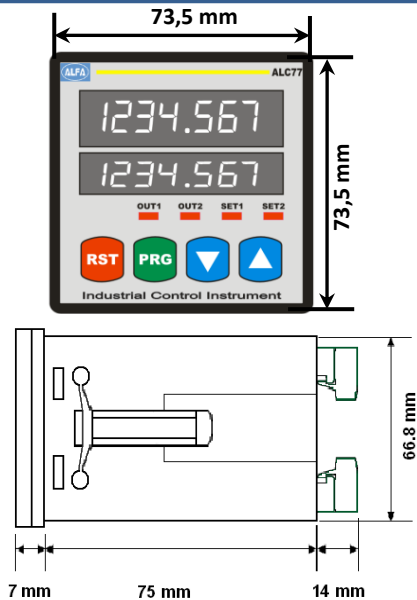




- 5 khz Input frequency
- Encoder input (A and B signal input)
- 2 row, 7 digits display
- Display range: -999999....9999999
- LED display
- Programmable 2 set points
- 2 pieces output relays
- 24 VAC/VDC or 220 VAC power supply
- 5 VDC or 12 VDC sensor output

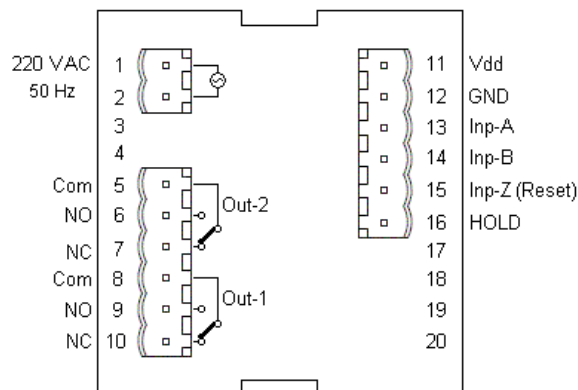
Mechanical Dimensions



Technical Specifications

Power Supply	24 VAC/DC 50/60 Hz 85-265 VAC 50/60 Hz
Power Consumption	5,5 VA / 4,4 W Maximum
Sensor Power Supply	5 VDC 100 mA (TTL Sensor) 12 VDC 100 mA (Push-Pull Sensor)
Connection	2,5 mm ² Socket Terminal
Inputs	A/B Encoder Pulse Input
Dimensions	73,5 x 73,5 x 96 mm
Weight	300 grams
Relative Humidity	Up to 31 °C %80, above 31 °C linear decreasing and at 40 °C %50
Storage Temperature	-25 to 85 °C
Operating Temperature	-10 to 70 °C
Protection Class	IP60 Front Panel, IP20 Rear Panel

Connection



Order Code

