



- Slim Line type aluminum profile
- Integrated magnetic tape in profile
- Easy mounting
- Resistant to humidity
- IP67 protection class

Technical Specifications	
<b>Life</b>	Infinite (non-contact system)
<b>Body Material</b>	Aluminum
<b>Sensor-tape reading distance</b>	0,1mm – 2mm
<b>Magnetic Tape</b>	B5 (Optional B2)
<b>Operating Temperature</b>	-25°C...+85°C
<b>Protection Class</b>	IP67

In PS 200 Profile systems, magnetic tape is integrated into the profile and taken under protection. The most important feature of the system is the ease of installation and the magnetic tape is under full protection.

### Recommended Sensors with PS 200 Series



[MLS-120/121](#)



[MLS-130](#)



[MLS-210](#)

### Order Coding

#### Model

PS 210  
PS 220  
PS 230

PS 2XX

#### Measurement Distance

Optional, user defined  
(Examp: 300 mm)

XXX

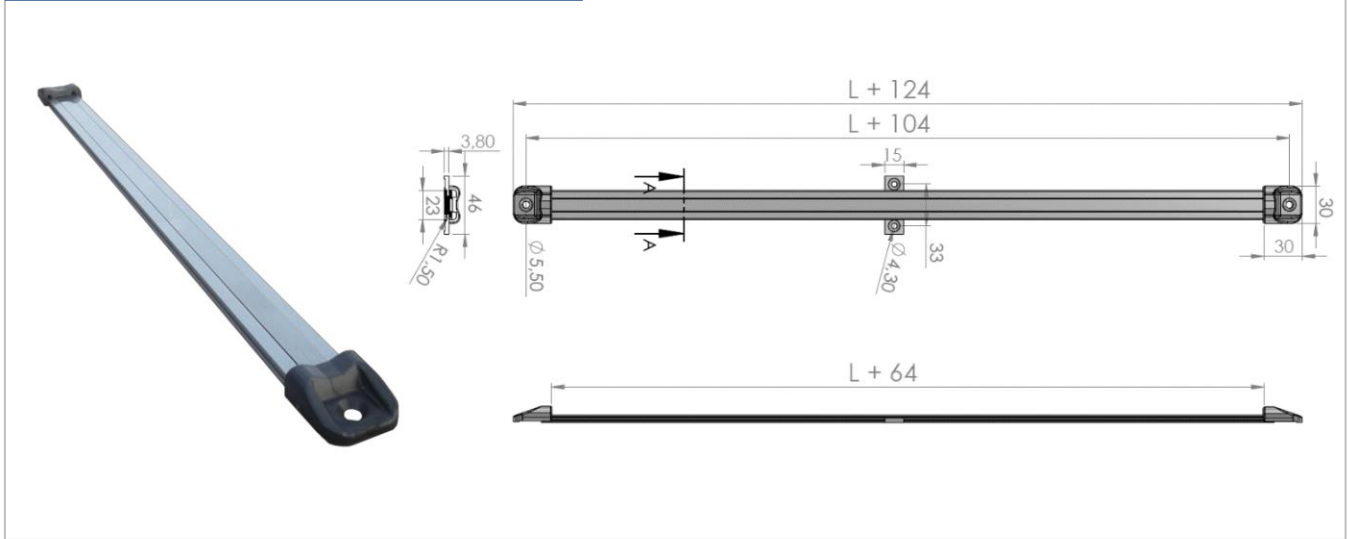
BX

#### Magnetic Tape

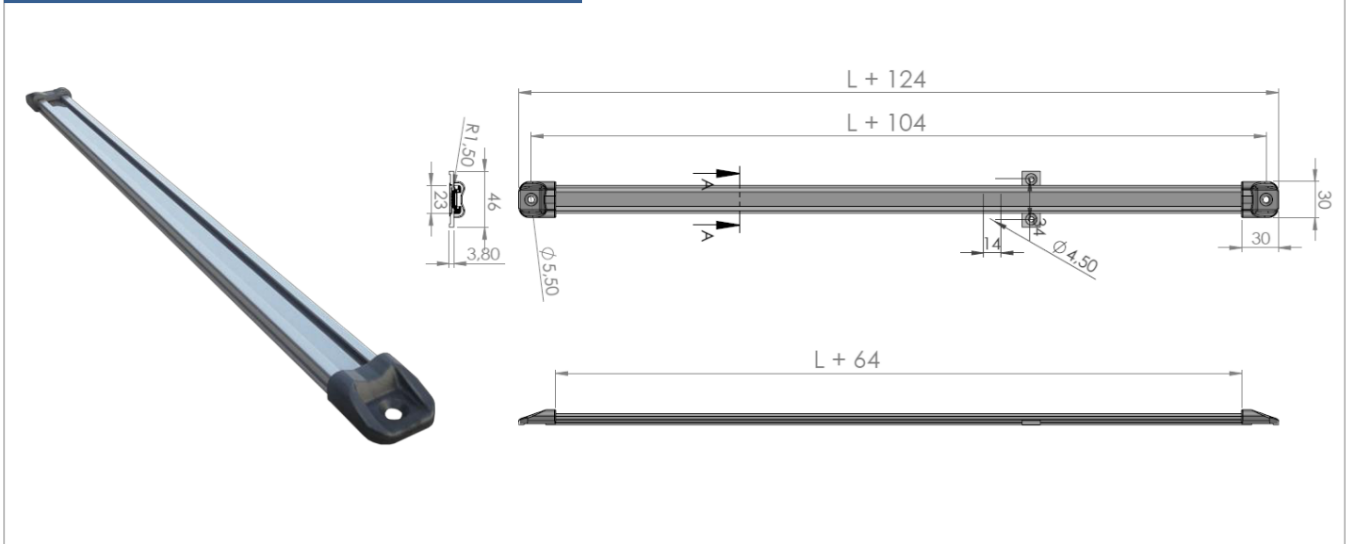
B5  
B2

**WARNING (!)** The proximity of the band with comparator, magnet or similar instruments having a magnetic effect, disrupts the working structure of the band. The product should be kept away from devices that generate this type of magnetic field.

**PS 210 - Mechanical Dimensions**



**PS 220 - Mechanical Dimensions**



**PS 230 - Mechanical Dimensions**

